

Type 1 PV Surge Protectors

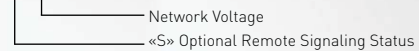
DS50VGPV Series



DS50VGPVS-1000

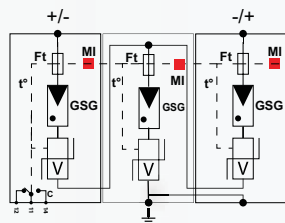
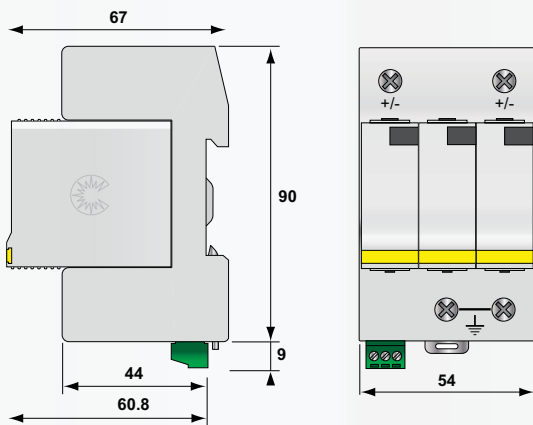
- **UL Type 1 CA DC SPD for PV Systems**
- **VG Technology for Maximum Performance**
- **Zero Leakage Current**
- **Zero Working Current**
- **Imax : 40kA/pole at 8/20µs**
- **In : 20kA/pole at 8/20µs**
- **UL 1449 4th Edition Recognized**

DS50VGPVS-xxx



Dimensions and Electrical Diagram

(in mm)



GSG: Gas-Filled Spark Gap
 V : High Energy MOV
 MI: Disconnection Indicator
 Ft: Thermal Fuse
 t°: Thermal Disconnection Mechanism
 C : Contact for Remote Signal

Characteristics

CITEL Part Number		DS50VGPVS-500	DS50VGPVS-1000	DS50VGPVS-1500G/51
Network voltage	Uocstc	500 Vdc	1,000 Vdc	1,250 Vdc
Protection mode *		CM/DM	CM/DM	CM/DM
Maximum operating voltage	Ucpv	600 Vdc	1,200 Vdc	1,500 Vdc
Short-circuit current rating	Scrc	100,000 A	100,000 A	> 1,000 A (Iscwpv)
Operating current to the voltage Ucpv	Icpv	none	none	none
Leakage current to the voltage Ucpv	Ipe	none	none	none
Follow current	If	none	none	none
Nominal discharge current 15 x 8/20 µs Impulses	In	20 kA	20 kA	10 kA
Maximum discharge current 8/20µs withstand	Imax	40 kA	40 kA	40 kA
Protection level (at In)	Up	<2,500 V	<3,600 V	<3,400 V

Disconnecter

Thermal disconnecter internal

Mechanical Characteristics

Dimensions	see diagram
Connection	Screw terminal for 4-25 mm ² wire
Disconnection indicator	1 mechanical indicator
Remote signaling	Option DS50VGPVS - Output on changeover contact
Mounting	symmetrical rail 35 mm
Operating temperature	-40/+85 °C
Protection class	IP20
Housing material	Thermoplastic UL94-V0

Standards Compliance

UTE C61-740-51: France	PV Surge Protection - Class I and II testing		
EN 50539-11: Europe	PV Surge Protection - Class I and II testing		
UL1449 4th Edition:USA	Type 1 CA	Type 1 CA	Type 1 CA

Part Number

DS50VGPVS-500	480161
DS50VGPVS-1000	480361
DS50VGPVS-1500G/51	481511

(*) CM = Common mode (+/PE or -/PE) - DM = Differential mode (+/-)

