



# RJ11 Telecom Surge Protector

## MJ6-1T



These units are designed to protect sensitive communication terminals (telephone sets, fax, modem, ADSL terminals...) connected to analog or digital telephone lines (PSTN or ADSL) from lightning surges and electrical transients.

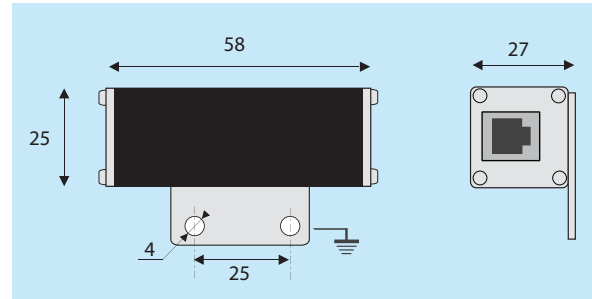
They are compatible with standard telephone connections (6-point RJ11 connector).

They are equipped with a gas tube and clamping diode network in order to provide a powerful and fast surge protection, as well very insertion losses.

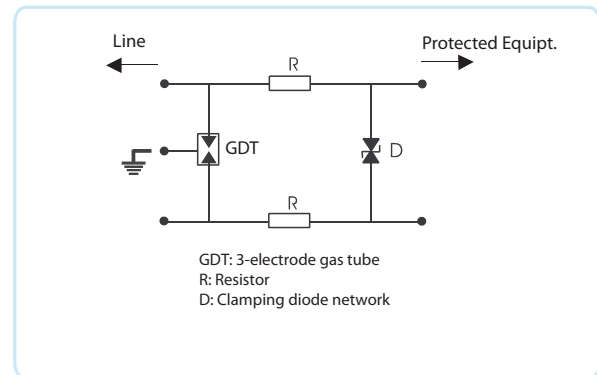
The MJ6-1T are installed instantaneously between the existing jacks of the installation, with no special requirements other than the metal bracket to be connected to the installation's ground network

- **1-pair Surge Protector**
- **for telephone line (PSTN or ADSL)**
- **RJ11 connector in/out**
- **Easy installation**
- **Wall mounting**
- **complies IEC 61643-21 standard**

### Dimensions (in mm)



### Electrical diagram



### Characteristics

CITEL part number	MJ6-1T
Application	PSTN or ADSL 1-pair surge protection
Bandwith	up to 10 MHz
Nominal line voltage (Un)	150 V
Maximum line voltage (Uc)	170 V
Residual voltage (Up)	210 V
Nominal discharge current (In)	2.5 kA
I/O connections	RJ11 female
Wiring	3-4
Mounting	wall mounting through metal bracket
Grounding	by wire on equipment chassis