



## DC Signal Line Surge Protectors

### DIN Series



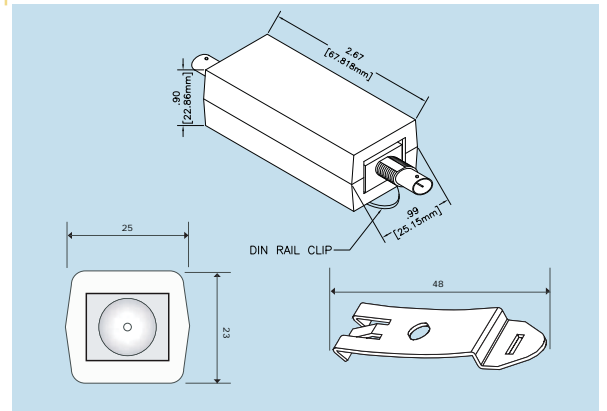
DIN-BNC

*CITEL DIN Series range ensures the reliable operation of networked equipment for almost all existing protocols.*

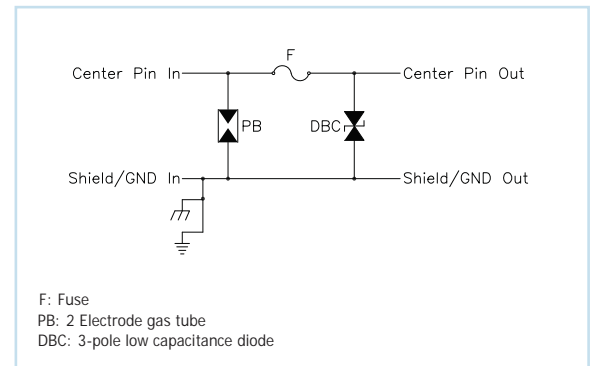
*The DIN-BNC-HD is a surge protective device designed for today's sensitive cameras requiring in-line installation. The DIN-BNC-HD protects a single camera video signal and offers 35mm din rail mounting.*

*The DIN-BNC-HD's utilizes a 3 Stage hybrid protection circuit that offers an ultra fast response time (<1 ns) and automatically resets after each surge event.*

### Dimensions (in mm)



### Electrical Diagram



### Characteristics

CITEL part number	DIN-C6	DIN-T	DIN-B	DIN-G	DIN-BNC	DIN-BNC-HD
Max. data rate	1,000 Mbps	100 Mbps	40 Mbps	40 Mbps	1,000 Mbps	1,000Mbps
Max. DC Supply Voltage	7.5 Vdc	18 Vdc	60 Vdc	240 Vdc	2.7 Vdc	7.5 Vdc
Max. DC Supply Current	750 mA	750 mA	750 mA	750 mA	750 mA	750 mA
Peak Pulse Current (10/1000µs at Max DC Supply Voltage)	100 A	60 A	50 A	75 A	132 A	25 kA (8/20µs waveform)
Max. Shunt Capacitance	<40pF	<40pF	<75pF	<95pF	<25pF	<25pF
Connectors	RJ45	RJ45	RJ45	RJ45 or RJ11	BNC (75 Ohm)	BNC (75 Ohm)
Pins protected	All	All	All	4 center	N/A	N/A
Applications	10/100/1,000 Base T RS422, RS423	RS232 RS485	ISDN, T-1 DDS	Dial Up, Modem, Fax	CCTV, DVR	In-line video signal
Connections: - Input - Output	RJ45 (or RJ11) Female RJ45 (or RJ11) Female				BNC Female BNC Female	BNC Female BNC Female
Pinout	8 pins for RJ45 connectors ; 6 pins for RJ11 connectors				N/A	N/A
Installation	DIN-Rail Mounted					
Ground Connection	DIN-Rail Grounded					
Standard Compliance	UL497B IEEE 802-3af (transmission)					

