



Hybrid Coaxial Surge Protectors

CXF Series CXC Series



CXF60-N/MF

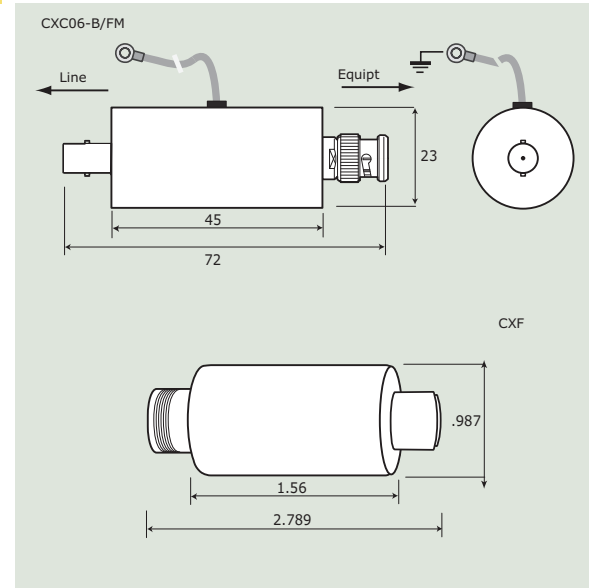


The CXF Series universal coaxial surge protector is designed to protect your sensitive radios from electrical transients, over-voltage and lightning. The CXF Series employs multi-stage circuitry that offers an ultra-sharp clamping that eliminates transients.

The CXC Series is designed to protect terminals connected to coaxial cables against transient overvoltages due to lightning strikes. The CXC Series is a combination of Gas Tubes and clamping diodes which allows a high discharge current with a low residual voltage and low insertion losses.

- Multi-Point Radio & Backhaul Bridges
- Tower Mounted Amplifiers (TMA)
- Global Positioning Systems (GPS)
- Antenna Systems
- Tower Top Electronics (TTE)
- Transmitters and Receivers
- WiFi
- Wimax Broadband Wireless

Dimensions (in mm)



Characteristics

CITEL Part Number	CXF60	CXCGPS	CXC06
Frequency Range	3-500MHz	1475-1675MHz	DC-70MHz
DC Turn-On (Breakdown)	±60Vdc	±20Vdc	±8Vdc
Technology	Hybrid DC Pass	Hybrid DC Pass	Hybrid DC Pass
Insertion Loss	≤0.3db	≤0.2db	≤0.6db
Return Loss	≥20db	≥20db	≥20db
VSWR	<1.2:1	<1.2:1	<1.2:1
I _{peak} (8/20 μs)	20kA	10kA	10kA
Max Power	42W	500W	100W
Max current	6A	6A	6A
Impedance	50 omhs	50 omhs	75 omhs
Connection Method	Series	Series	Series
Connectors	N	N	BNC, F
Grounding	M6 Screw, Bulkhead, Bracket	M6 Screw, Bulkhead, Bracket	Ground Wire
Environmental Rating	IP65	IP65	IP65
Operating Temp	-50°C to +85°C	-50°C to +85°C	-50°C to +85°C
Operating Altitude	13,000 ft (4,000m)	13,000 ft (4,000m)	13,000 ft (4,000m)
Relative Humidity	up to 5 to 95% non-condensing, up to 100%	up to 5 to 95% non-condensing, up to 100%	up to 5 to 95% non-condensing, up to 100%
Weight	8.6 oz	8.3 oz	4.4 oz