



Low Frequency Gas Tube Coaxial Surge Protectors

CNP Series



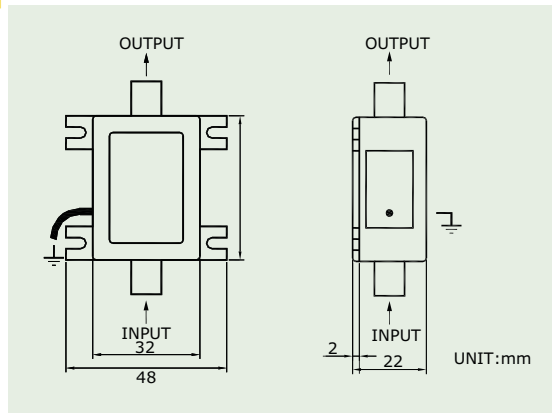
CNP06-B/MF

The CNP Series Surge Protectors are designed for the protection of receiving and transmitting coaxial cables, television systems, cameras and Satellite TVs against the effects of lightning current. Several versions are available to fit the different networks:

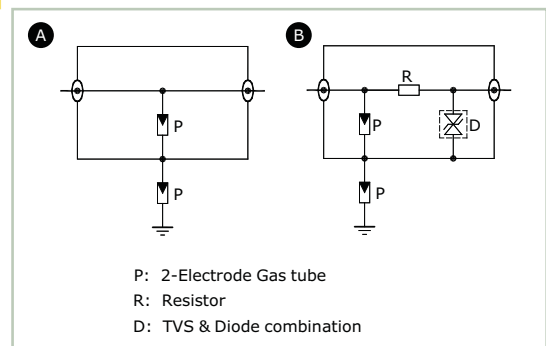
CNP TV based on single Gas Tube protection stage for heavy discharge current and very wide bandwidth. Particularly adapted to TV or Radio receivers.

CNP 06/90 Gas Tubes/Clamping Diodes association provides heavy discharge current and low residual voltage. They are well adapted to high frequency coaxial transmission as well as Ethernet 10BaseT, or video-transmission.

Dimensions (in mm)

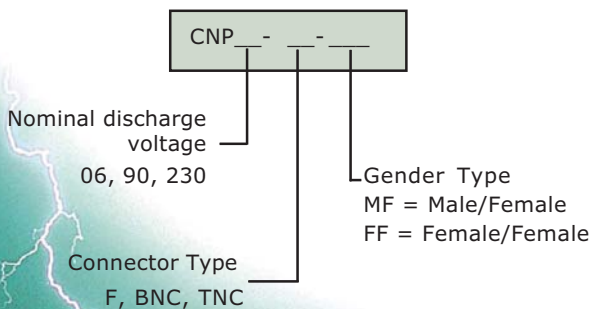


Electrical Diagram



- Mounting Surface
- Impedance: 75Ω
- Operating temperature: -40 C to +80 C
- Max Discharge current 20kA
- IEC 61643-21:2000

Ordering information



Characteristics

CITEL Part Number	CNP06	CNP90	CNP90TV	CNP230TV
Frequency Range	0-100MHz	0-100MHz	DC-1GHz	DC-1GHz
DC Turn-On (Breakdown)	30V	75V	75V	200V
Technology	Hybrid DC Pass	Hybrid DC Pass	Gas Discharge Tube	Gas Discharge Tube
Insertion Loss	≤0.5db	≤0.5db	≤0.5db	≤0.5db
Return Loss	>20db	>20db	>20db	>20db
VSWR	<1:2:1	<1:2:1	<1:2:1	<1:2:1
I _{peak} (8/20 μs)	20kA	20kA	20kA	20kA
Max Power	100	100	100	100
Max current	4A	4A	0.5A	0.5A
Impedance	75 Ohms	75 Ohms	75 Ohms	75 Ohms
Connection Method	Series	Series	Series	Series
Connectors	BNC, F, TNC	BNC, F, TNC	BNC, F, TNC	BNC, F, TNC
Grounding	Ground Wire	Ground Wire	Ground Wire	Ground Wire
Environmental Rating	IP20	IP20	IP20	IP20
Operating Temp	-50°C to +85°C	-50°C to +85°C	-50°C to +85°C	-50°C to +85°C
Operating Altitude	13,000 ft (4,000m)	13,000 ft (4,000m)	13,000 ft (4,000m)	13,000 ft (4,000m)
Relative Humidity	up to 5 to 95% non-condensing, up to 100%	up to 5 to 95% non-condensing, up to 100%	up to 5 to 95% non-condensing, up to 100%	up to 5 to 95% non-condensing, up to 100%
Weight	4.4 oz	4.4 oz	4.4 oz	4.4 oz