

Type 2 AC Surge Protectors DS40 Series

**Imax
40 kA**



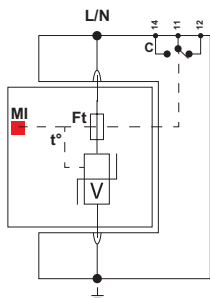
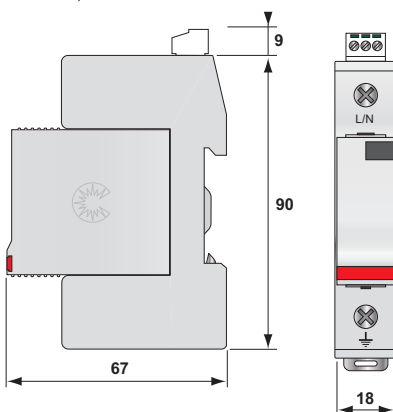
DS41-120

- **Type 2 AC Power Surge Protector**
- **Slim 18 mm Form Factor**
- **Fault Indicator Window**
- **Remote Signal Contacts**
- **Imax : 40 kA at 8/20 μ s**
- **In : 20 kA at 8/20 μ s**
- **UL 1449 3rd Edition Recognized**

Dimensions and Electrical Diagram

[in mm]

DS41S (1 pole)



V : High energy varistor
t° : Thermal disconnection system
Ft : Thermal fuse
MI : Disconnection indicator
C : Remote signaling contact

Characteristics

CITEL Part Number	DS41S-480	DS41S-400	DS41S-320	DS41S-230	DS41S-120	
AC network voltage	480 V	277-347 V	220-277 V	220-240 V	120-127 V	
Maximum operating voltage	Mcov	550 Vac	320 Vac	280 Vac	275 Vac	150 Vac
Temporary overvoltage withstand	U _T	770 Vac	440 Vac	440 Vac	440 Vac	230 Vac
Operating current	I _c	< 1 mA	< 1 mA	< 1 mA	< 1 mA	< 1 mA
Follow current	I _f	none	none	none	none	none
Nominal discharge current 15 x 8/20 μ s impulse	I _n	20 kA	20 kA	20 kA	20 kA	20 kA
Maximum discharge current 8/20 μ s withstand	I _{max}	40 kA	40 kA	40 kA	40 kA	40 kA
Protection level at I _n	Up-I _n	2.0 kV	1.8 kV	1.5 kV	1.25 kV	0.9 kV
Protection level at 10 kA		1.8 kV	1.5 kV	1.3 kV	1.1 kV	0.7 kV
Voltage protection rating	V _{pr}	1800 V	1500 V	1200 V	1000 V	700 V
Short-circuit current Rating	Sc _{cr}	100 kA	100 kA	100 kA	100 kA	100 kA
Associated Disconnection Devices						
Thermal disconnector	Internal					
Fuses	Fuses type gG - 50 A max. (see Note 1)					
Installation ground fault breaker	Type «S» or delayed					
Mechanical Characteristics						
Dimensions	See diagram					
Connection	By screw terminals : 4-25 mm ² / by bus					
Disconnection indicator	1 mechanical indicator					
Remote signaling of disconnection	Option DS40S - output on changeover contact					
Mounting	Symmetrical rail 35 mm					
Operating temperature	-40/+85 °C					
Protection class	IP20					
Housing material	Thermoplastic UL94-V0					
Standards Compliance						
EN 61643-11: Europe	Low Voltage SPD - Class II Test					
IEC 61643-11: International	Low Voltage SPD - Class II Test					
NF EN 61643-11: France	Parafoudre Basse Tension - Essais Classe II					
UL1449 3rd Edition: USA	Type 4, for use in Type 2 Locations					
Part Number						
DS41S-480	331011					
DS41S-400	3314111					
DS41S-320	331911					
DS41S-230	331705					
DS41S-120	331611					

Note 1: Rating in compliance with NF C15-100 art.534.1.5.3. In order to increase service continuity, higher rating can be used (up to 125 A). For further information, please consult product instructions..



Type 2 Multi-Pole AC Surge Protectors

DS42, DS43, DS44

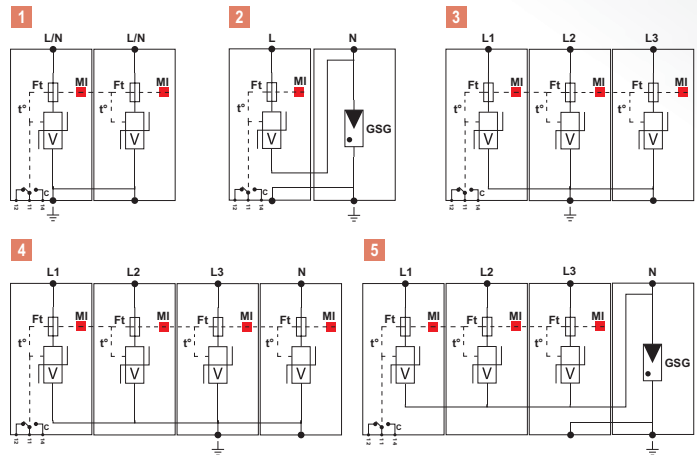
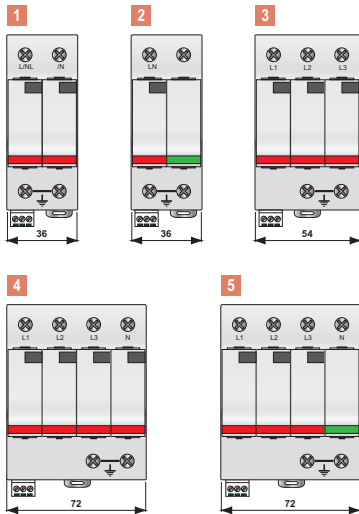
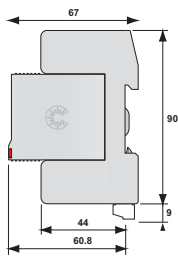


DS44-230/G

DS4x S-xxx/G

- « » = CT1 Configuration (common mode)
- «G» = CT2 (common and differential mode)
- Operating voltage [120, 230, 320, 400, 480]
- «S» = Remote signal option
- Number of protected poles [2, 3, 4]

Dimensions and Electrical Diagrams



Reference	Part Number	Network	AC System	Protection Mode		Imax Total	Up L/PE	Up L/N	Diagram
				Common	Differential				
DS44S-230/G	461532	230/400 V 3-phase+N	Wye	●	●	40 kA	1.5 kV	1.25 kV	5
DS44S-120/G	461632	120/208 V 3-phase+N	Wye	●	●	40 kA	1.5 kV	0.9 kV	
DS44S-400	461422	277/480 V 3-phase+N	Wye	●		160 kA	1.8 kV	-	4
DS44S-230	461522	230/400 V 3-phase+N	Wye	●		160 kA	1.25 kV	-	
DS44S-120	461622	120/208 V 3-phase+N	Wye	●		160 kA	0.9 kV	-	3
DS43S-480	461017	480 V 3-phase	Delta	●		120 kA	2.0 kV	-	
DS43S-230	461523	240 V 3-phase	Delta	●		120 kA	1.25 kV	-	
DS43S-120	461623	120/240 V 2-phase+N	Split phase	●		120 kA	0.9 kV	-	2
DS42S-230/G	461531	230 V 1-phase+N	Single phase	●	●	40 kA	1.5 kV	1.25 kV	
DS42S-120/G	461631	120 V 1-phase+N	Single phase	●	●	40 kA	1.5 kV	0.9 kV	1
DS42S-400	461421	277 V 1-phase+N, 2-phase	Single/Split phase	●		80 kA	1.8 kV	-	
DS42S-230	461521	230 V 1-phase+N, 2-phase	Single/Split phase	●		80 kA	1.25 kV	-	
DS42S-120	461621	120 V 1-phase+N, 2-phase	Single/Split phase	●		80 kA	0.9 kV	-	

*1 DSx-280x or DS4x-320x (e.g. DS44-320/G) for areas with possible temporary voltages (bad quality AC voltage or supply by AC generator set).